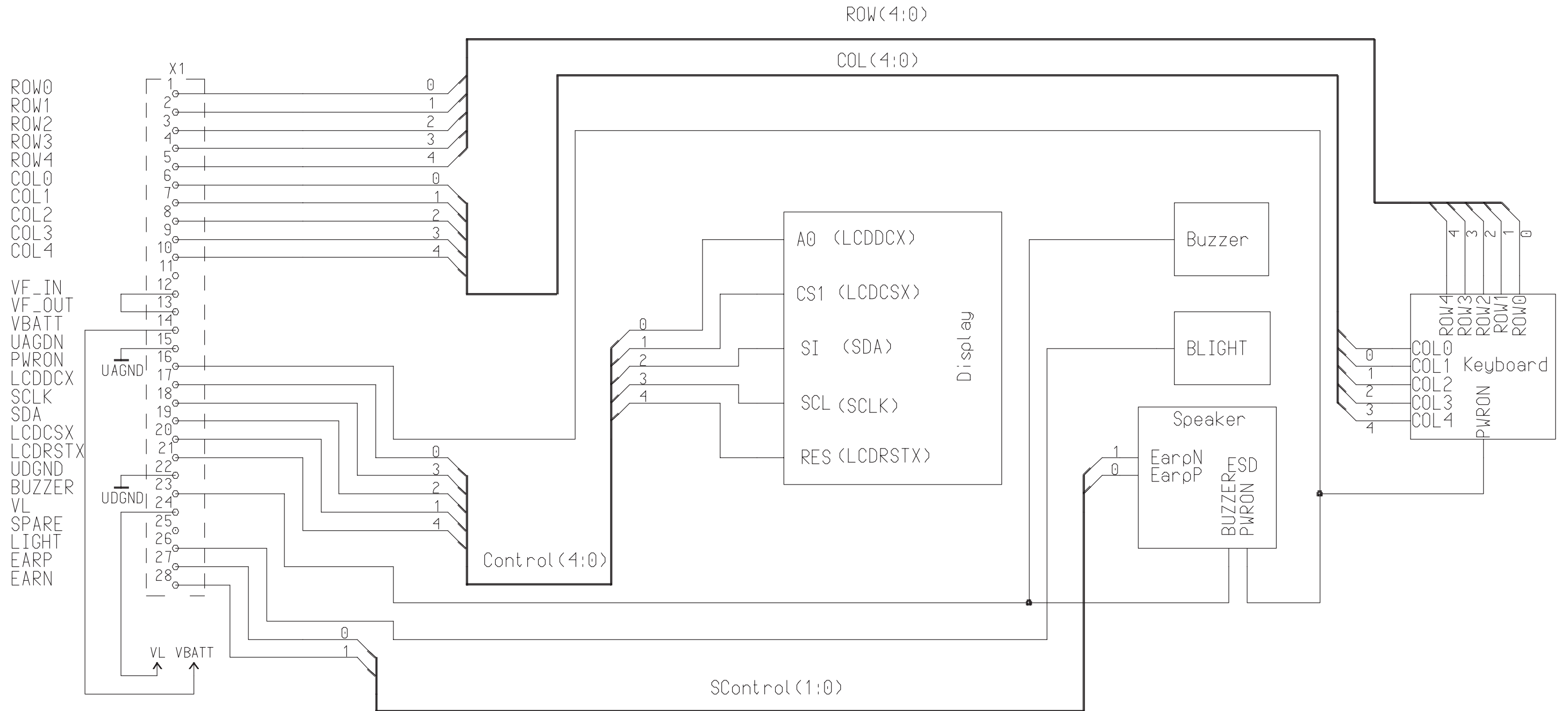
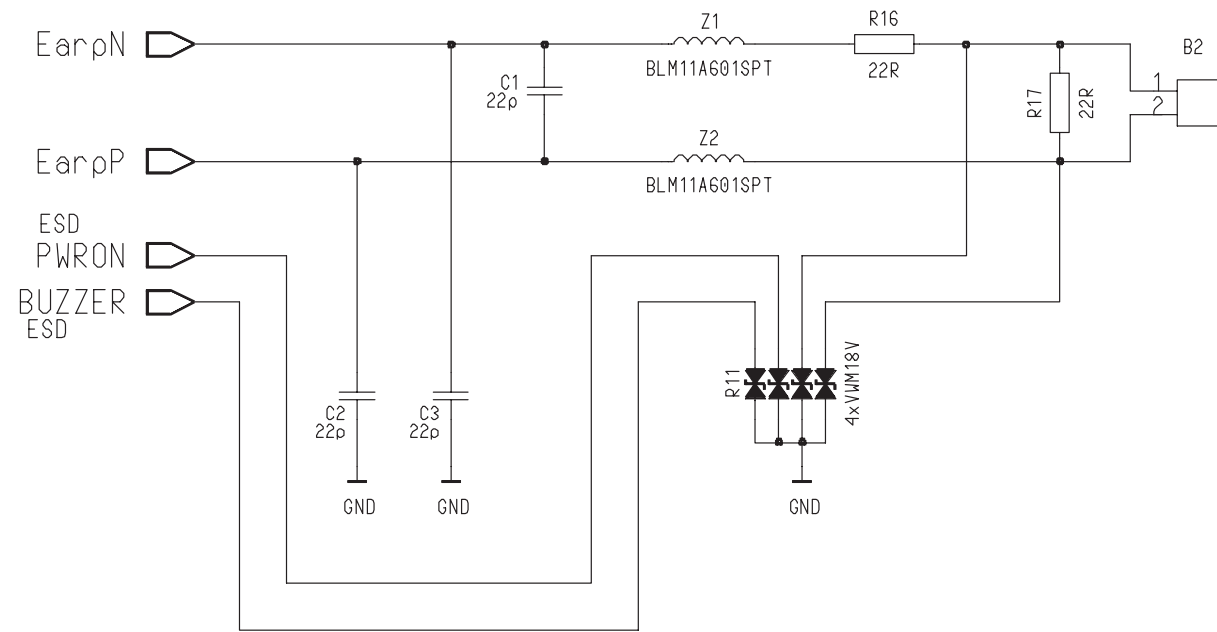


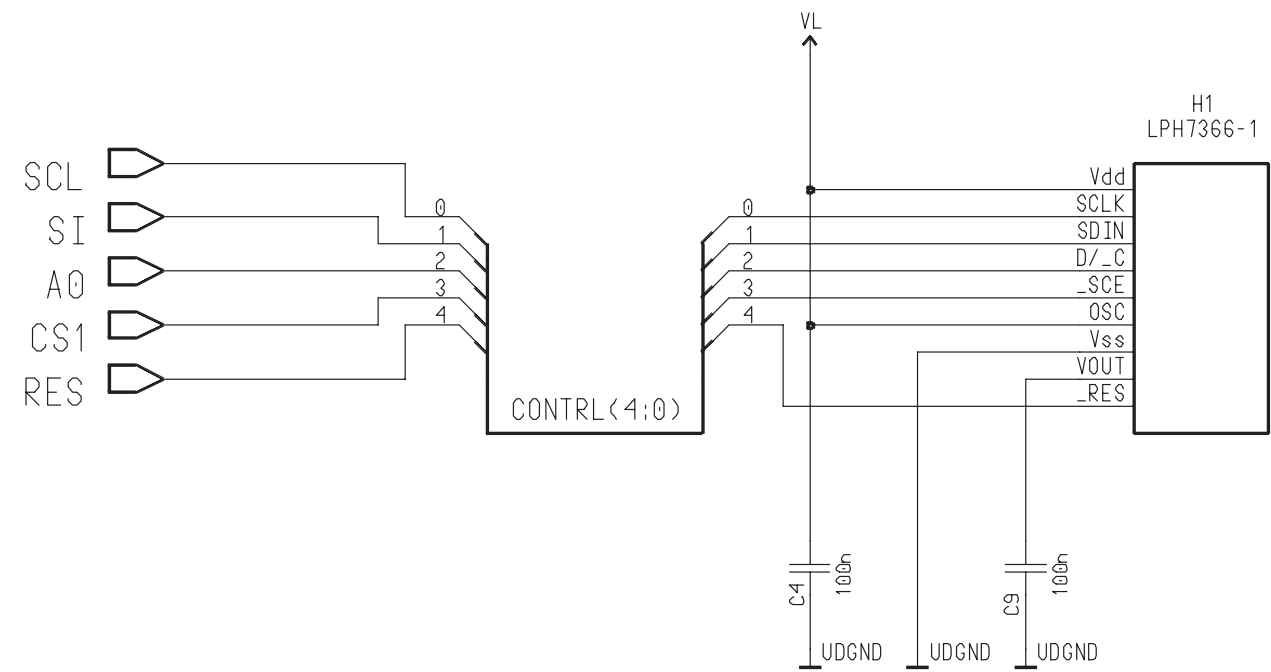
Circuit Diagram of UIF Module (Version 3 Edit 49) for layout version 03



Circuit Diagram of Speaker and LCD Modules for layout version 03

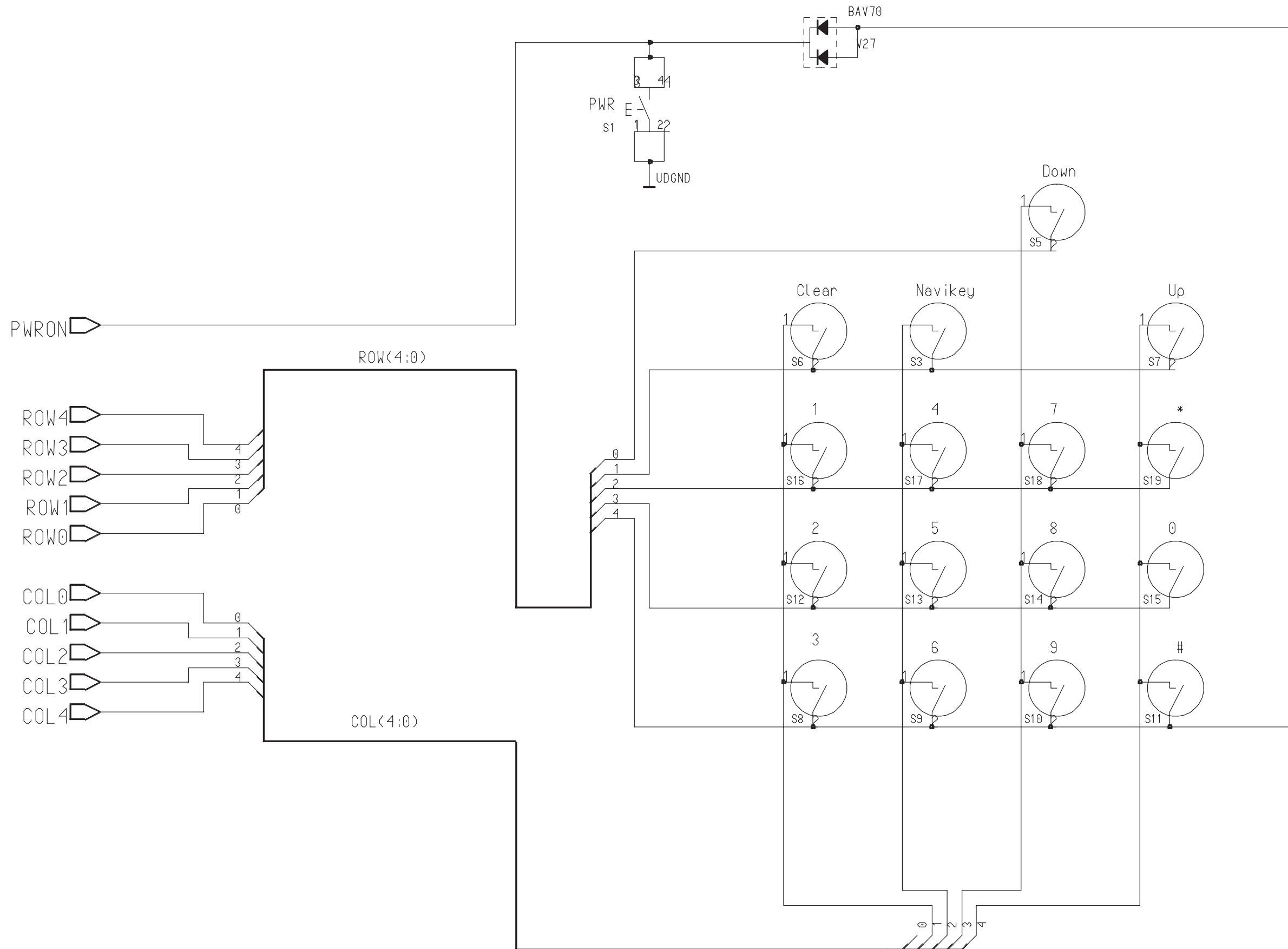


Speaker (Versio 3 Edit 29)



LCD (Versio 3 Edit 22)

Circuit Diagram of Keyboard (Version 3 Edit 45) for layout version 03



Layout Diagram of UE4S (Version 03)

